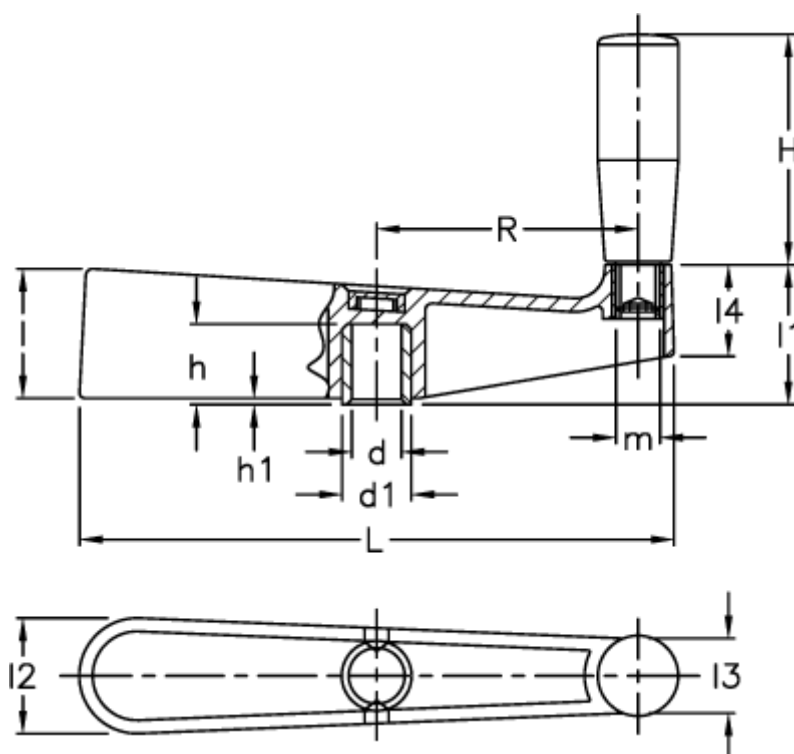


Article number: 2301038901  
Description: E+G Crank handle  
METP.170

## Measures



d1 = 1.8	l2 = 33
d H7 = 14	l3 = 21
H = 65	l4 = 25
h = 23	m = M10
h1 = 19.8	R = 74
l = 37	
L = 170	
l1 = 39	